

NEW



| | | | | | | |
|--------------|---------------------------|----------------------|----------------|--------------------------|---------------------|-----------------|
| Name | Integrated Guide Post Set | Integrated Oil Free™ | Guide Post Set | Oil Free™ Guide Post Set | Ball Guide Post Set | Movable Stopper |
| Model | 25N-SYP | 25N-SYZP | 25SYP | 25SYZP | 25SYAP | 25SYJP |
| Page | 22 | 22 | 23 | 23 | 24 | 24 |

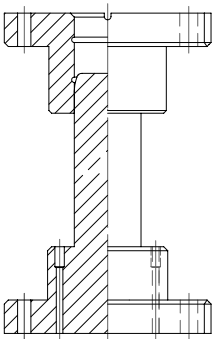


| | | |
|--------------|-----------------------------------|-----------------------------------|
| Name | Ball Guide Post Set Fixed Stopper | Flat Stroke End Blocks |
| Model | 25SYKP 25SJKP | 25SEBY / 25SEBA / 25SSBY / 25SSBA |
| Page | 25 25 | 26 |



| | | |
|--------------|-------------------|----------------------------|
| Name | Stroke End Blocks | Chain for Stroke End Block |
| Model | 25SEB / 25SSB | 25RSC |
| Page | 27 | 28 |

ข้อดีของการเปลี่ยนมาใช้ไกด์โพสรุ่นใหม่ ยึดติดแน่นกับฐาน Why change to the new Integrated Guide Post Set Type



- ✓ แข็งแรงยิ่งขึ้น ส่วนฐานและเสายึดติดแน่น
Stronger due to integration of the base and guide post.
- ✓ ฐานผลิตจากเหล็ก S45C แทนเหล็กหล่อ
Steel base instead of cast iron.
- ✓ ยังสามารถเลือกแบบออยฟรี™ เป็นสารหล่อลื่นได้เหมือนเดิม
Can still choose to use Oil Free™ as lubricant.
- ✓ โดยรวมแล้วประหยัดค้ค่ากว่าแบบเดิม
Better value and cost saving overall.

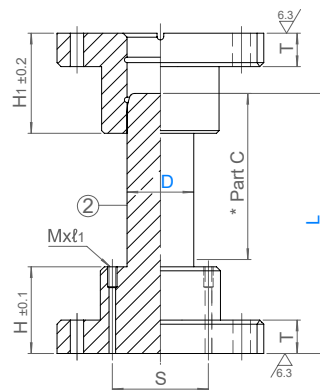
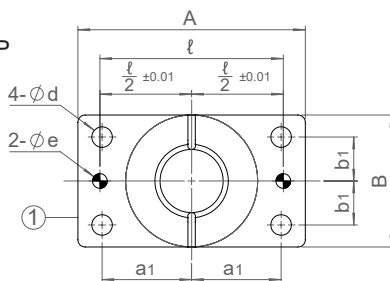
Integrated Guide Post Set - ไกด์โพสเซ็ท รุ่นยึดติดแน่นกับฐาน

Oil Free™

NEW



Model
25N-SYP



เสากับฐานยึดติดแน่น เพิ่มความทนทาน
Integrated guide and holder
for longer tool life.

① **M** FC250

② **M** S45C
Part C 55HRC-
(Induction Harden)

ORDER 25N-SYP D - L
EXAMPLE 25N-SYP32-150

| D | L | | | | | | | | | | A | B | d | H | H1 | T | ℓ | a1 | b1 | S | M | t1 | e H7 | Bolts | Dowel Pin |
|----|----|-----|-----|-----|-----|-----|-----|-----|-----|-----|-----|-----|-----|----|----|----|-----|------|----|----|---|----|------|-----------|-----------|
| 25 | 90 | 100 | 110 | 120 | 130 | 140 | 150 | 160 | 170 | 180 | 200 | 84 | 48 | 9 | 30 | 45 | 66 | 33 | 15 | 37 | 4 | 12 | 8 | 24CB8x35 | 8-30 |
| 32 | | 100 | 110 | 120 | 130 | 140 | 150 | 160 | 170 | 180 | 200 | 100 | 58 | 11 | 40 | 50 | 76 | 38 | 18 | 45 | 4 | 12 | 8 | 24CB10x40 | 8-30 |
| 38 | | | 120 | 130 | 140 | 150 | 160 | 170 | 180 | 200 | 220 | 250 | 130 | 75 | 50 | 60 | 100 | 50 | 22 | 60 | 5 | 15 | 10 | 24CB10x45 | 10-40 |
| 50 | | | | | | | 160 | 170 | 180 | 200 | 220 | 250 | 155 | 90 | 14 | 65 | 125 | 62.5 | 30 | 72 | 6 | 15 | 10 | 24CB12x50 | 10-40 |

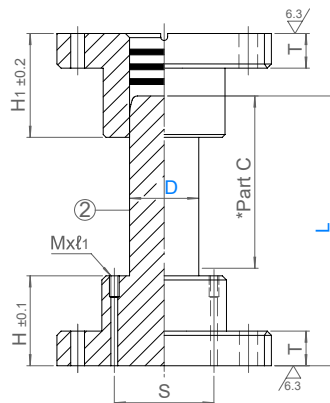
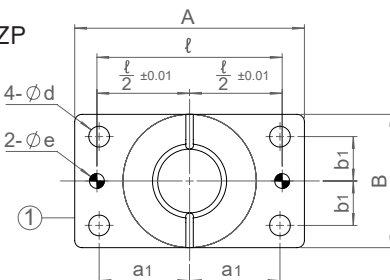
Integrated Oil Free™ Guide Post Set - ไกด์โพสเซ็ท ระบบบอยฟรี™ รุ่นยึดติดแน่นกับฐาน

Oil Free™

NEW



Model
25N-SYZP



เสากับฐานยึดติดแน่น เพิ่มความทนทาน
Integrated guide and holder
for longer tool life.

① **M** FC250
Oil Free™ solid lubricant

② **M** S45C
Part C 55HRC-
(Induction Harden)

ORDER 25N-SYZP D - L
EXAMPLE 25N-SYZP38-150

| D | L | | | | | | | | | | A | B | d | H | H1 | T | ℓ | a1 | b1 | S | M | t1 | e H7 | Bolts | Dowel Pin |
|----|----|-----|-----|-----|-----|-----|-----|-----|-----|-----|-----|-----|-----|-----|----|----|-----|------|----|----|---|----|------|-----------|-----------|
| 25 | 90 | 100 | 110 | 120 | 130 | 140 | 150 | 160 | 170 | 180 | 200 | 84 | 48 | 9 | 30 | 45 | 66 | 33 | 15 | 37 | 4 | 12 | 8 | 24CB8x35 | 8-30 |
| 32 | | 100 | 110 | 120 | 130 | 140 | 150 | 160 | 170 | 180 | 200 | 100 | 58 | 11 | 40 | 50 | 76 | 38 | 18 | 45 | 4 | 12 | 8 | 24CB10x40 | 8-30 |
| 38 | | | 120 | 130 | 140 | 150 | 160 | 170 | 180 | 200 | 220 | 250 | 130 | 75 | 50 | 60 | 100 | 50 | 22 | 60 | 5 | 15 | 10 | 24CB10x45 | 10-40 |
| 50 | | | | | | | 160 | 170 | 180 | 200 | 220 | 250 | 155 | 90 | 14 | 65 | 125 | 62.5 | 30 | 72 | 6 | 15 | 10 | 24CB12x50 | 10-40 |
| 60 | | | | | | | | 180 | 200 | 220 | 250 | 280 | 190 | 120 | 18 | 75 | 150 | 75 | 40 | 92 | 8 | 20 | 13 | 24CB16x60 | 13-50 |

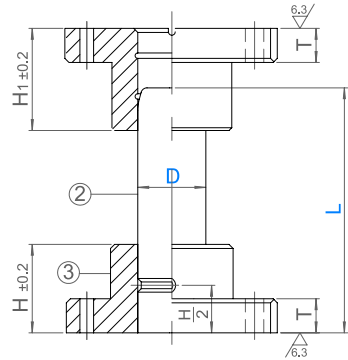
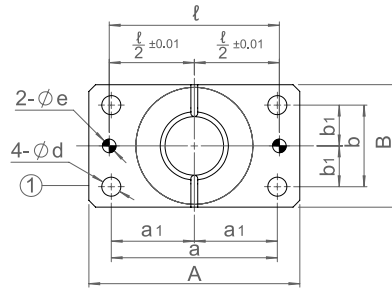
ไกด์โพสเซ็ท

Guide Post Set - ไกด์โพสเซ็ท มีรูโดเวลพิน แบบธรรมดา

FOIL FREE™



Model
25SYP



- ① (M) FC250
- ② (M) S45C
55HRC- (Induction Harden)

ORDER 25SYP D - L
EXAMPLE 25SYP32-150

- ③ FC250

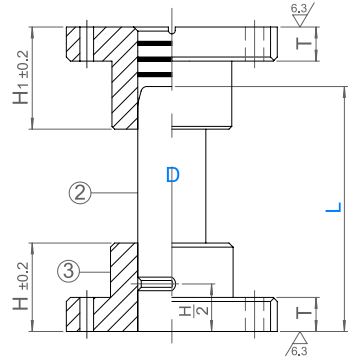
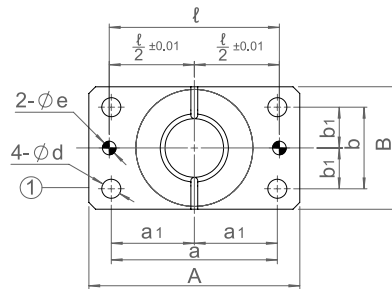
| D | L | | | | | | | | | | | | | | | | A | B | a | b | d | H | H1 | T | ℓ | a1 | b1 | e H7 | Bolts 24CB | Dowel Pin | | | | |
|----|----|----|-----|-----|-----|-----|-----|-----|-----|-----|-----|-----|-----|-----|-----|-----|-----|-----|-----|-----|-----|-----|----|----|-----|-----|------|------|---------------|--------------|-------|-------------|-------|-------|
| 25 | 80 | 90 | 100 | 110 | 120 | 130 | 140 | 150 | 160 | 170 | 180 | 200 | | | | | 84 | 48 | 66 | 30 | 9 | 30 | 45 | 20 | 66 | 33 | 15 | 8 | 8x35 | 8-30 | | | | |
| 32 | | 90 | 100 | 110 | 120 | 130 | 140 | 150 | 160 | 170 | 180 | 200 | 220 | 250 | | | | | 100 | 58 | 76 | 36 | 11 | 40 | 50 | | 76 | 38 | 18 | +0.015 0 | 10x40 | | | |
| 38 | | | | 110 | 120 | 130 | 140 | 150 | 160 | 170 | 180 | 200 | 220 | 250 | 280 | 300 | | | | | | 50 | 60 | 25 | 100 | 50 | 22 | 10 | 10x45 | 10-40 | | | | |
| 50 | | | | | | | | | 160 | 170 | 180 | 200 | 220 | 250 | 280 | 300 | 350 | | | | | 14 | 65 | 85 | | 125 | 62.5 | 30 | | 12x50 | | | | |
| 60 | | | | | | | | | | | | 180 | 200 | 220 | 250 | 280 | 300 | 350 | 400 | 190 | 120 | 150 | 80 | 18 | 75 | 100 | 30 | 150 | 75 | 40 | 13 | +0.018 0 | 16x60 | 13-50 |

Oil Free™ Guide Post Set - ไกด์โพสเซ็ท มีรูโดเวลพิน ระบบออยฟรี™

FOIL FREE™



Model
25SYZP



- ① (M) FC250
Oil Free™ solid lubricant
- ② (M) S45C
55HRC- (Induction Harden)

ORDER 25SYZP D - L
EXAMPLE 25SYZP38-200

- ③ FC250

| D | L | | | | | | | | | | | | | | | | A | B | a | b | d | H | H1 | T | ℓ | a1 | b1 | e H7 | Bolts 24CB | Dowel Pin | | | | |
|----|----|----|-----|-----|-----|-----|-----|-----|-----|-----|-----|-----|-----|-----|-----|-----|-----|-----|-----|-----|-----|-----|----|----|-----|-----|------|------|---------------|--------------|-------|-------------|-------|-------|
| 25 | 80 | 90 | 100 | 110 | 120 | 130 | 140 | 150 | 160 | 170 | 180 | 200 | | | | | 84 | 48 | 66 | 30 | 9 | | 45 | 20 | 66 | 33 | 15 | 8 | 8x35 | 8-30 | | | | |
| 32 | | 90 | 100 | 110 | 120 | 130 | 140 | 150 | 160 | 170 | 180 | 200 | 220 | 250 | | | | | 100 | 58 | 76 | 36 | 11 | 40 | 50 | | 76 | 38 | 18 | +0.015 0 | 10x40 | | | |
| 38 | | | | 110 | 120 | 130 | 140 | 150 | 160 | 170 | 180 | 200 | 220 | 250 | 280 | 300 | | | | | | 50 | 60 | 25 | 100 | 50 | 22 | 10 | 10x45 | 10-40 | | | | |
| 50 | | | | | | | | | 160 | 170 | 180 | 200 | 220 | 250 | 280 | 300 | 350 | | | | | 14 | 65 | 85 | | 125 | 62.5 | 30 | | 12x50 | | | | |
| 60 | | | | | | | | | | | | 180 | 200 | 220 | 250 | 280 | 300 | 350 | 400 | 190 | 120 | 150 | 80 | 18 | 75 | 100 | 30 | 150 | 75 | 40 | 13 | +0.018 0 | 16x60 | 13-50 |

Ball Guide Post Set Movable Stopper - ไกด์โพสเซต ลูกปืน ฝาขยับได้



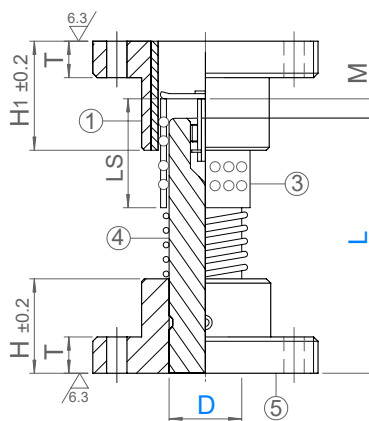
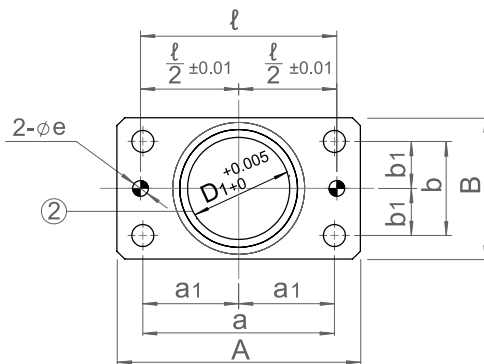
ปลอกลูกปืนอลูมิเนียม
Aluminum Ball Retainer
Model: 25SYAP

ปลอกลูกปืนเรซิน
Resin Ball Retainer
Model: 25SYJP



- ① ⑤ (M) FC250
- ② (M) SUJ2 58HRC-
- ③ (M) Aluminum
- ④ (M) SUJ2 58HRC- (Induction Harden)

- ① ⑤ (M) FC250
- ② (M) SUJ2 58HRC-
- ③ (M) POM
- ④ (M) SUJ2 58HRC- (Induction Harden)



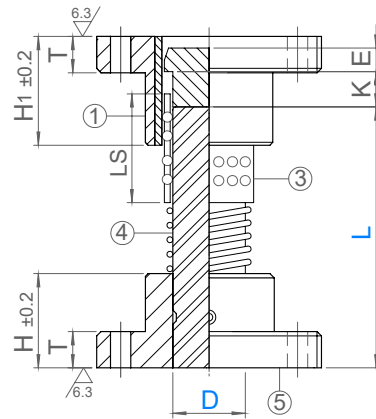
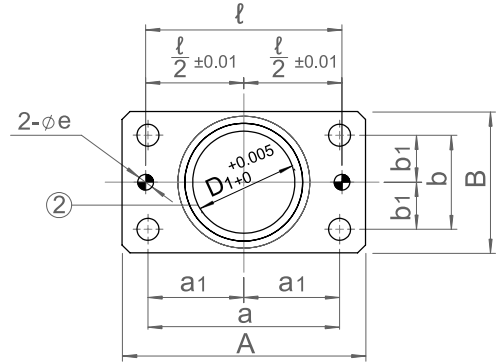
ORDER Model D - L
EXAMPLE 25SYAP38-150

| D | L | | | | | | | | | | | | M (Stopper Distance) | | | | | |
|----|----|-----|-----|-----|-----|-----|-----|-----|-----|-----|-----|-----|-------------------------|--------|--------|--|--|--------|
| 25 | 90 | 100 | 110 | 120 | 130 | 140 | 150 | 160 | | | | | | 0 - 20 | | | | |
| 32 | 90 | 100 | 110 | 120 | 130 | 140 | 150 | 160 | 170 | 180 | 200 | | | | 0 - 25 | | | |
| 38 | | | | 110 | 120 | 130 | 140 | 150 | 160 | 170 | 180 | 200 | 220 | 240 | 260 | | | 0 - 29 |
| 50 | | | | | 130 | 140 | 150 | 160 | 170 | 180 | 200 | 220 | 240 | 260 | 300 | | | 0 - 42 |
| 60 | | | | | | | | 170 | 180 | 200 | 220 | 240 | 260 | 300 | 350 | | | |

| D1 | A | B | a | b | d | H | H1 | T | Ls | ℓ | a1 | b1 | e H7 | Bolts | Dowel Pin |
|----|-----|-----|-----|----|----|----|-----|----|-----|-----|------|----|-----------|-----------|-----------|
| 31 | 84 | 48 | 66 | 30 | 9 | 30 | 50 | 20 | 50 | 66 | 33 | 15 | 8 | 24CB8x35 | 8-30 |
| 40 | 100 | 58 | 76 | 36 | 11 | 40 | 60 | 20 | 60 | 76 | 38 | 18 | | 10 | |
| 48 | 130 | 75 | 100 | 44 | 11 | 50 | 70 | 25 | 70 | 100 | 50 | 22 | 24CB10x45 | | 10-40 |
| 60 | 155 | 90 | 125 | 60 | 14 | 65 | 90 | 25 | 90 | 125 | 62.5 | 30 | 24CB12x50 | | |
| 70 | 190 | 120 | 150 | 80 | 18 | 75 | 100 | 30 | 100 | 150 | 75 | 40 | 13 | 24CB16x60 | 13-50 |

ปลอกลูกปืนอลูมิเนียม
Aluminum Ball Retainer
Model: 25SYKP

ปลอกลูกปืนเรซิน
Resin Ball Retainer
Model: 25SJKP



- ① ⑤ (M) FC250
- ② (M) SUJ2 58HRC-
- ③ (M) Aluminum
- ④ (M) SUJ2 58HRC- (Induction Harden)

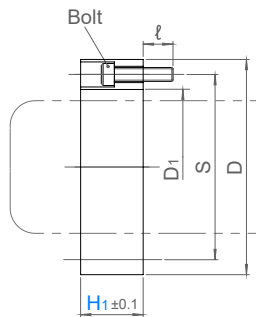
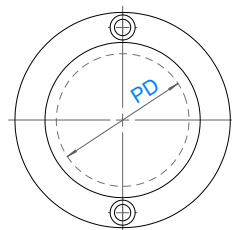
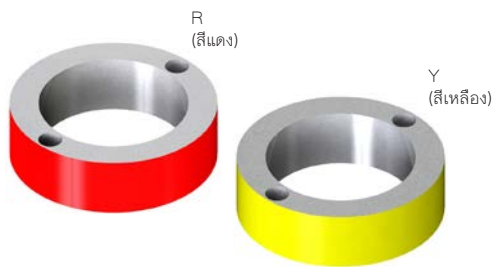
- ① ⑤ (M) FC250
- ② (M) SUJ2 58HRC-
- ③ (M) POM
- ④ (M) SUJ2 58HRC- (Induction Harden)

ORDER EXAMPLE Model D - L
25SYKP38-150

| D | L | | | | | | | | | | | | | | K (Fixed Stopper) | | |
|----|----|-----|-----|-----|-----|-----|-----|-----|-----|-----|-----|-----|-----|-----|----------------------|-----|----|
| 25 | 90 | 100 | 110 | 120 | 130 | 140 | 150 | 160 | 170 | 180 | 200 | | | | | 20 | |
| 32 | | | 110 | 120 | 130 | 140 | 150 | 160 | 170 | 180 | 200 | 220 | 240 | 260 | | 25 | |
| 38 | | | | | 130 | 140 | 150 | 160 | 170 | 180 | 200 | 220 | 240 | 260 | 300 | 30 | |
| 50 | | | | | | | | | 170 | 180 | 200 | 220 | 240 | 260 | 300 | 350 | 40 |
| 60 | | | | | | | | | | | 200 | 220 | 240 | 260 | 300 | 350 | 50 |

| D1 | A | B | a | b | d | H | H1 | T | E | Ls | ℓ | a1 | b1 | e H7 | Bolts | Dowel Pin |
|----|-----|-----|-----|----|----|----|-----|----|----|-----|-----|------|----|------|-----------|-----------|
| 31 | 84 | 48 | 66 | 30 | 9 | 30 | 50 | 20 | 5 | 50 | 66 | 33 | 15 | 8 | 24CB8x35 | 8-30 |
| 40 | 100 | 58 | 76 | 36 | 11 | 40 | 60 | 20 | 5 | 60 | 76 | 38 | 18 | | 24CB10x40 | |
| 48 | 130 | 75 | 100 | 44 | 11 | 50 | 70 | 25 | 10 | 70 | 100 | 50 | 22 | 10 | 24CB10x45 | 10-40 |
| 60 | 155 | 90 | 125 | 60 | 14 | 65 | 90 | 25 | 10 | 90 | 125 | 62.5 | 30 | | 24CB12x50 | |
| 70 | 190 | 120 | 150 | 80 | 18 | 75 | 100 | 30 | 15 | 100 | 150 | 75 | 40 | 13 | 24CB16x60 | 13-50 |

Flat Stroke End Blocks - สโตรคเอ็นบล็อกแบบหน้าเรียบ



ใช้กับชุดไกด์โพสปกติ for Guide Post Sets ใช้กับชุดไกด์โพสลูกปืน for Ball Guide Post Sets

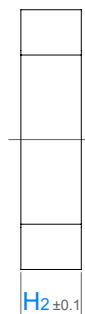
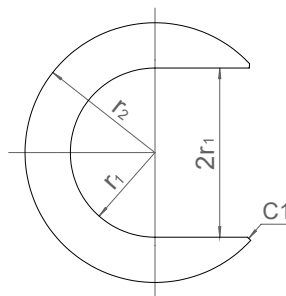
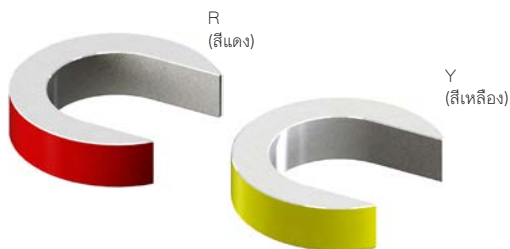
Model: 25SEBY Model: 25SEBA

ORDER Model PD - H1 - Color (R,Y)
EXAMPLE 25SEBY38-45-R

M SS400 2pcs Bolt

i ดูวิธีสั่งเป็นชุดในหน้า 28
Ordering as a set see page 28

| Model | PD | H1 5mm increment | Color | D | D1 | S | ℓ | Bolts |
|------------------|----|---------------------|------------------------|-----|----|-----|----|-----------|
| 25SEBY 25SEBA | 25 | 10 - 50 | R (สีแดง/Red) | 46 | 29 | 37 | 10 | M4 x 0.7 |
| | 32 | 10 - 50 | | 56 | 37 | 45 | | |
| | 38 | 15 - 50 | | 72 | 43 | 60 | | |
| | 50 | 20 - 50 | Y (สีเหลือง/Yellow) | 86 | 56 | 72 | 12 | M6 x 1.0 |
| | 60 | 20 - 50 | | 112 | 66 | 92 | | M8 x 1.25 |
| | 80 | 20 - 50 | | 140 | 88 | 116 | | |



ใช้กับชุดไกด์โพสปกติ for Guide Post Sets ใช้กับชุดไกด์โพสลูกปืน for Ball Guide Post Sets

Model: 25SSBY Model: 25SSBA

ORDER Model PD - H2 - Color (R,Y)
EXAMPLE 25SSBY38-45-R

M SS400

i ดูวิธีสั่งเป็นชุดในหน้า 28
Ordering as a set see page 28

| Model | PD | H2 5mm increment | Color | D | r1 | r2 |
|------------------|----|---------------------|------------------------|-----|------|----|
| 25SSBY 25SSBA | 25 | 10 - 40 | R (สีแดง/Red) | 46 | 14.5 | 23 |
| | 32 | 10 - 40 | | 56 | 18.5 | 28 |
| | 38 | 10 - 50 | | 72 | 21.5 | 36 |
| | 50 | 10 - 50 | Y (สีเหลือง/Yellow) | 86 | 28 | 43 |
| | 60 | 10 - 50 | | 112 | 33 | 56 |
| | 80 | 10 - 50 | | 140 | 44 | 70 |

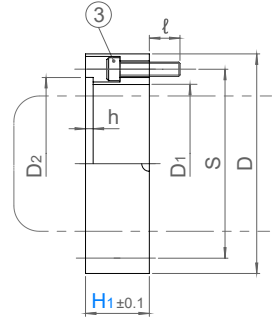
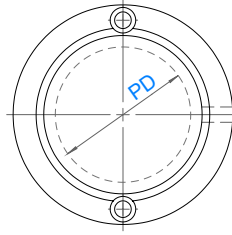
โถงไฟไซซ์

Stroke End Blocks - สโตรคเ็นบล็อค

FOIL FREE™



25SEB

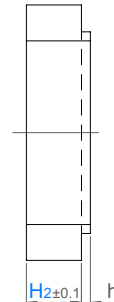
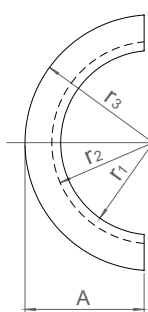


ORDER EXAMPLE Model PD - H1 - Color (R,Y) **M** SS400 **i** ดูวิธีสั่งเป็นชุดในหน้า 28
 25SEB38-45-R **2**pcs Bolt Ordering as a set see page 28

| Model | PD | H1 5mm increment | Color | D | D1 | D2 | S | h | ℓ | Bolts |
|-------|----|---------------------|------------------------|-----|------|-----|-----|---|----|----------|
| 25SEB | 25 | 10 - 50 | R (สีแดง/Red) | 46 | 31.5 | 36 | 37 | 2 | 10 | M4 x 0.7 |
| | 32 | 10 - 60 | | 56 | 41 | 45 | 45 | | | |
| | 38 | 15 - 70 | | 72 | 49 | 56 | 60 | | | |
| | 50 | 20 - 80 | Y (สีเหลือง/Yellow) | 86 | 62 | 68 | 72 | 3 | 12 | M6 x 1.0 |
| | 60 | 20 - 80 | | 112 | 76 | 84 | 92 | | | |
| | 80 | 20 - 80 | | 140 | 100 | 108 | 116 | | | |



25SSB



ORDER EXAMPLE Model PD - H2 - Color (R,Y) **M** SS400 **i** ดูวิธีสั่งเป็นชุดในหน้า 28
 25SSB38-45-R **2**pcs Bolt Ordering as a set see page 28

| Model | PD | H2 5mm increment | Color | D | r1 | r2 | r3 | h | A |
|-------|----|---------------------|------------------------|-----|-------|------|----|---|----|
| 25SSB | 25 | 10 - 40 | R (สีแดง/Red) | 46 | 15.75 | 18 | 23 | 2 | 22 |
| | 32 | 10 - 40 | | 56 | 20.5 | 22.5 | 28 | | |
| | 38 | 10 - 50 | | 72 | 24.5 | 28 | 36 | | |
| | 50 | 10 - 50 | Y (สีเหลือง/Yellow) | 86 | 31 | 34 | 43 | 3 | 42 |
| | 60 | 10 - 50 | | 112 | 38 | 42 | 56 | | |
| | 80 | 10 - 50 | | 140 | 50 | 54 | 70 | | |

การสั่งสโตรคเอ็นบล็อก แบบเป็นชุด | Ordering Stroke End Block as set

แบนหน้าเรียบ | Flat Type

OPTION Model PD - H1 Color - H2 Color - (Chain)
 EXAMPLE 25SEBY-S50-30R-40Y-RS

โซ่เป็นออฟชั่นเสริม
Chain is optional

| Model | PD | H1 5mm increment | Color สี | H2 5mm increment | Color สี | Chain Type ประเภทโซ่ |
|-------------------------------|----|---------------------|------------------------|---------------------|------------------------|-------------------------|
| 25SEBY-S (Guide Post Set) | 25 | 10 - 50 | R (สีแดง/Red) | 10 - 40 | R (สีแดง/Red) | S (normal) |
| | 32 | 10 - 50 | | 10 - 40 | | |
| | 38 | 15 - 50 | | 10 - 50 | | |
| 25SEBA-S (Ball Guide Post) | 50 | 20 - 50 | Y (สีเหลือง/Yellow) | 10 - 50 | Y (สีเหลือง/Yellow) | RS (Strong Chain) |
| | 60 | 20 - 50 | | 10 - 50 | | |
| | 80 | 20 - 50 | | 10 - 50 | | |

แบนไม่เรียบ | Step Type

OPTION Model PD - H1 Color - H2 Color - (Chain)
 EXAMPLE 25SEB-S50-30R-40Y-RS

25SEB-S (มี 25SSB 1ชิ้น | 1pc of 25SSB)

โซ่เป็นออฟชั่นเสริม
Chain is optional

OPTION Model PD - H1 Color - H2 Color - (Chain)
 EXAMPLE 25SEB-W50-30R-40Y-RS

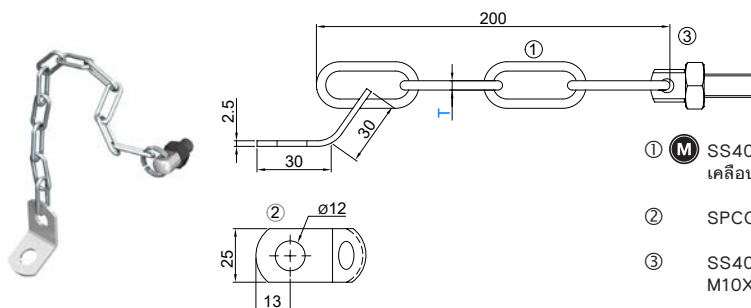
25SEB-W (มี 25SSB 2ชิ้น | 2pcs of 25SSB)

โซ่เป็นออฟชั่นเสริม
Chain is optional

| Model | PD | H1 5mm increment | Color | H2 5mm increment | Color | Chain Type ประเภทโซ่ |
|-----------------------|----|---------------------|------------------------|---------------------|------------------------|-------------------------|
| 25SEB-S (25SSB x1) | 25 | 10 - 50 | R (สีแดง/Red) | 10 - 40 | R (สีแดง/Red) | S (normal) |
| | 32 | 10 - 60 | | 10 - 40 | | |
| | 38 | 15 - 70 | | 10 - 50 | | |
| 25SEB-W (25SSB x2) | 50 | 20 - 80 | Y (สีเหลือง/Yellow) | 10 - 50 | Y (สีเหลือง/Yellow) | RS (Strong Chain) |
| | 60 | 20 - 80 | | 10 - 50 | | |
| | 80 | 20 - 80 | | 10 - 50 | | |

Strong Chain for Stroke End Blocks - โซ่รุ่นแข็งแรง สำหรับ สโตรคเอ็นบล็อก

FOIL FREE™



| ORDER EXAMPLE | Model | T |
|---------------|--------|---|
| | 25RSC5 | |
| Model | T | |
| 25RSC | 3 | |
| | 5 | |